



GFA-7705

&

GFA-7707

S.A.F.E.®
HIGH CURRENT, MULTI-CHANNEL
POWER AMPLIFIERS

THE FOLLOWING PRECAUTIONS AND SAFETY INSTRUCTIONS ARE REQUIREMENTS OF UL AND CSA SAFETY REGULATIONS

Warning: To reduce the risk of fire or electric shock, do not expose this unit to rain or moisture.



The graphic symbol of a lightning flash with an arrow point within a triangle signifies that there is dangerous voltage within the unit and it poses a hazard to anyone removing the cover to gain access to the interior of the unit. **Only qualified service personnel should make any such attempt.**



The graphic symbol of an exclamation point within an equilateral triangle warns a user of the device that it is necessary to refer to the instruction manual and its warnings for proper operation of the unit.



Do not place this unit on an unstable cart, stand, tripod, bracket, or table. The unit may fall, causing serious injury to a child or adult, and serious damage to the unit. Use only with a cart, stand, tripod, bracket, or table recommended by the manufacturer, or sold with the unit. Any mounting of the device should follow the manufacturer's instructions, and should use a mounting accessory recommended by the manufacturer.

Read all the safety and operating instructions before connecting or using this unit.

Retain this notice and the owner's manual for future reference.

All warnings on the unit and in its operating instructions should be adhered to.

All operating and use instructions should be followed.

Do not use this unit near water; for example, near a bathtub, washbowl, kitchen sink, laundry tub, in a wet basement, or near a swimming pool.

The unit should be installed so that its location or position does not interfere with its proper ventilation. For example, it should not be situated on a bed, sofa, rug, or similar surface that may block the ventilation openings; or placed in a built-in installation, such as bookcase or cabinet, that may impede the flow of air through its ventilation openings.

The unit should be situated away from heat sources such as radiators, heat registers, stoves, or other devices (including amplifiers) that produce heat.

The unit should be connected to a power-supply outlet only of the voltage and frequency marked on its rear panel.

The power-supply cord should be routed so that it is not likely to be walked on or pinched, especially near the plug, convenience receptacles, or where the cord exits from the unit.

Clean unit only as recommended in its instruction manual.

The power-supply cord of the unit should be unplugged from the wall outlet when it is to be unused for a long period of time.

Care should be taken so that objects do not fall, and liquids are not spilled, into the enclosure through any openings.

This unit should be serviced by qualified service personnel when:

- A. The power cord or the plug has been damaged; or
- B. Objects have fallen, or liquid has been spilled, into the unit; or
- C. The unit has been exposed to rain, or liquids of any kind; or
- D. The unit does not appear to operate normally, or exhibits a marked change in performance; or
- E. The device has been dropped, or the enclosure damaged.

**DO NOT ATTEMPT SERVICING OF THIS UNIT YOURSELF.
REFER SERVICING TO QUALIFIED SERVICE PERSONNEL.**

ATTENTION

POUR PRÉVENIR LES CHOC ÉLECTRIQUES NE PAS UTILISER CETTE FICHE POLARISÉE AVEC UN PROLONGATEUR, UNE PRISE DE COURANT OU UNE AUTRE SORTIE DE COURANT, SAUF SI LES LAMES PEUVENT ÊTRE INSÉRÉES À FOND SANS EN LAISSER AUCUNE PARTIE À DÉCOUVERT.

CAUTION

TO PREVENT ELECTRIC SHOCK DO NOT USE THIS POLARIZED PLUG WITH AN EXTENSION CORD, RECEPTACLE OR OTHER OUTLET UNLESS THE BLADES CAN BE FULLY INSERTED TO PREVENT BLADE EXPOSURE.

CAUTION POWER LINES

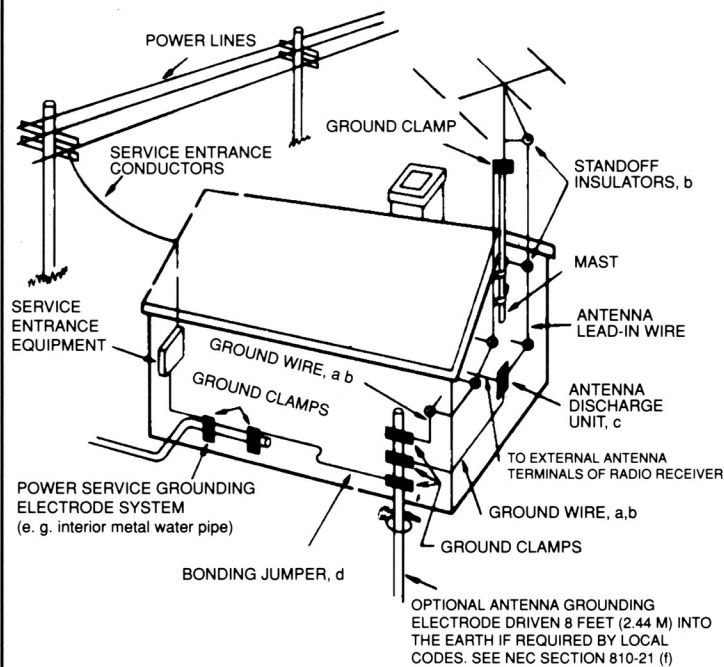
Any outdoor antenna must be located away from all power lines.

OUTDOOR ANTENNA GROUNDING

If an outside antenna is connected to your tuner or tuner-preamplifier, be sure the antenna system is grounded so as to provide some protection against voltage surges and built-up static charges. Section 810 of the National Electrical Code, ANSI/NFPA No. 70-1984, provides information with respect to proper grounding of the mast and supporting structure, grounding of the lead-in wire to an antenna discharge unit, size of grounding conductors, location of antenna discharge unit, connection to grounding electrodes, and requirements for the grounding electrode.

- a. Use No.10 AWG (5.3 mm²) copper, No.8 AWG (8.4 mm²) aluminum, No.17 AWG (1.0 mm²) copper-clad steel or bronze wire, or larger, as a ground wire.
- b. Secure antenna lead-in and ground wires to house with stand-off insulators spaced from 4-6 feet (1.22-1.83 m) apart.
- c. Mount antenna discharge unit as close as possible to where lead-in enters house.
- d. Use jumper wire not smaller than No.6 AWG (13.3 mm²) copper, or the equivalent, when a separate antenna-grounding electrode is used. See NEC Section 810-21 (j).

EXAMPLE OF ANTENNA GROUNDING AS PER NATIONAL ELECTRICAL CODE INSTRUCTIONS CONTAINED IN ARTICLE 810 - RADIO AND TELEVISION EQUIPMENT.



NOTE TO CATV SYSTEM INSTALLER

This reminder is provided to call the CATV system installer's attention to Article 820-22 of the National Electrical Code that provides guidelines for proper grounding and, in particular, specifies that the cable ground shall be connected to the grounding system of the building, as close to the point of cable entry as practical.

GFA-7705/07 Features

- Precision-matched devices used throughout the signal path.
- Independent power supplies for each channel.
- Fewer gain stages improve signal reproduction accuracy.
- Custom toroidal power transformer provides better regulation and greater peak current capability.
- ADCOM-Universal pre-prepped chassis and internal power supplies for easy in-field upgradeability from 5 to 7 channel configuration.
- Independent thermal-overload and distortion LEDs for all 5 (to 7) channels.
- *S.A.F.E.® Circuit*: Self Annealing Fuse Equipped--automatic reset protection circuit in the event of speaker or speaker wire dead-short.
- High quality, gold-plated 5-way binding posts.
- High quality, gold-plated RCA jacks.
- Large independent, internal heatsinks for greater cooling capability of output devices.
- Convenient 12 VDC power ON/OFF triggering.
- Heavy gauge, anodized aluminum front panel.
- Cooling vents for greater efficiency and cooler operation while driving low impedance loads.

Table of Contents

Introduction

Warranty Information	4
----------------------------	---

Description of Unit— 20-Amp Device Notification.....4

Rear Panel.....	5
-----------------	---

Front Panel.....	7
------------------	---

Installation & Hookup

Unpacking the GFA-7705/07	9
---------------------------------	---

Placement of the GFA-7705/07	9
------------------------------------	---

Quick Connection Diagram	10
--------------------------------	----

Connecting the GFA-7705/07.....	11
---------------------------------	----

Caring for your GFA-7705/07	12
-----------------------------------	----

Troubleshooting

Resolving Problems	13
--------------------------	----

Service Information.....	14
--------------------------	----

Specifications.....	15
---------------------	----

Introduction

Congratulations on your decision to purchase the GFA-7705/07 multi-channel power amplifier. The GFA-7705/07 integrates very well with any other home theater system, such as Dolby ProLogic™ or Dolby Digital™. You have made a wise choice that will reward you with exceptionally accurate and musical sound reproduction for years to come. To realize the full potential of your new amplifier, please read these operating and installation instructions thoroughly before attempting to make any connections to it.

ADCOM Protection Plan (NORTH AMERICA ONLY)

ADCOM offers the enclosed valuable Limited Warranty. Please read the details on the Warranty Card carefully to understand the extent of the protection offered by the Warranty, its reasonable limitations, and what you should do in order to obtain its benefits. Be sure to verify that the serial number printed on the rear panel matches the serial number on the outer carton. If any number is altered or missing, you should notify us immediately in order to ensure that you have received a genuine ADCOM product which has not been opened, mishandled, or tampered with in any way. Always retain your original sales receipt as a proof of purchase.

Description of Unit

The GFA-7705/07 is a *20-Amp Device*.

The GFA-7705/07 is high-power, high-current, wide-bandwidth design employing ADCOM's Fast Analog Transform (F.A.T.) circuitry with direct-coupled Power Rig output stages. All channels are completely monaural from transformer secondaries through the output stages.

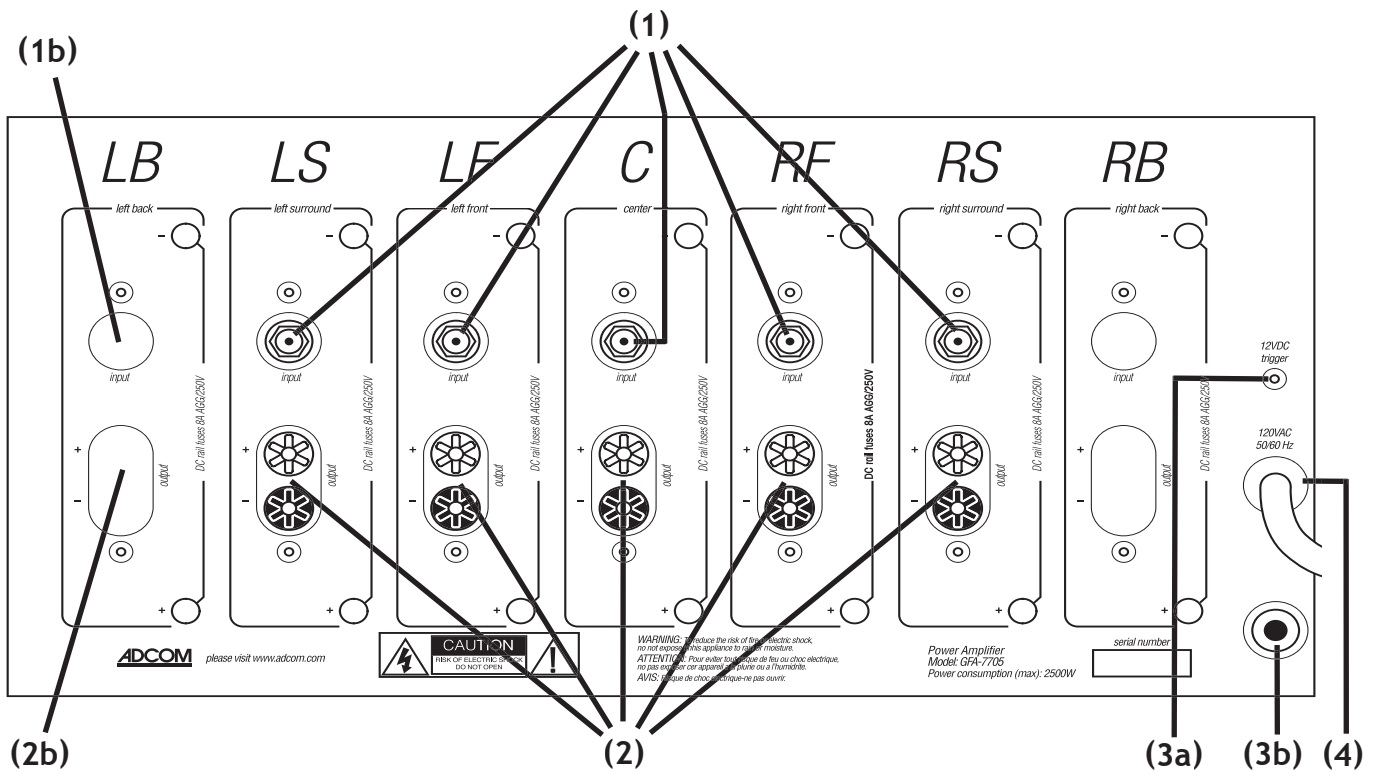
In order for this product to achieve its actual rated power output on all channels and to avoid repeatedly throwing/popping the related electrical service panel circuit breaker, it is critical that the amplifier be professionally installed on a 20-Amp household AC circuit and outlet, preferably dedicated but at minimum one not shared with other large current-draw appliances or devices.

Common 15-Amp household circuits are easily and inexpensively converted to 20 Amp configuration by any high-voltage licensed electrician.

For this reason, the GFA-7705/07 ships Factory-equipped with a hard-wired, 20-Amp Plug on the AC Power Cord.

WARNING: DO NOT DEFEAT THE 20-AMP PLUG OR HARDWIRED AC POWER CORD TO EMPLOY EITHER A 15 AMP OUTLET OR "AUDIOPHILE" TYPE DETACHABLE POWER CORD.

DOING SO WILL VOID PRODUCT WARRANTY, MAY DAMAGE THE PRODUCT AND PLACE THE USER AT EXTREME RISK OF INJURY OR DEATH.



Rear Panel

Inputs (1)

The audio inputs for the GFA-7705 and 7707 are through high-quality, gold-plated RCA jacks to minimize high-frequency losses, noise, etc. They will accept standard RCA-type plugs, one for each of the five channels; Front L (Left), Center, Front R (Right), Surround L (Left), and Surround R (Right). To insure that the performance designed into the GFA-7705/07 is preserved, you should use the highest quality, shielded audio cables possible. There are many cables which are color-coded and specifically designed for this application. Your Adcom dealer can help select the best cable for your needs. (See **Connecting the GFA-7705/07** for more information.)

Inputs (1b)

Chassis knock-out for future expansion channel-card input jack (GFA-7705 only).

Outputs (2)

The GFA-7705/07's connections to the loudspeakers are made through high-grade, 5-way, gold-plated binding post terminals. There are two terminals for each speaker, which are colored RED for the positive (+) output and BLACK for the negative (-) output.

The binding posts will accept a variety of connector types; the most secure and prevalent of these is the "U"-type spade connectors (at least 0.25" wide and maximum width of 0.57"). The terminal will also accept bare wire (up to AWG10) and "banana" type plugs (single or dual).

(See **CONNECTING THE GFA-7705/07** for more information.)

Outputs (2b)

Chassis knock-out for future expansion channel-card output binding posts (GFA-7705 only).

WARNING

THERE ARE NO USER-SERVICEABLE PARTS OR FUSES INSIDE THE GFA-7705/07. In the event that the amplifier's rear-panel circuit breaker fails to reset (opens again when power applied to unit and unit turned on) you must refer the amplifier to ADCOM Factory Service or ADCOM Authorized Service Center. Do not open the amplifier nor remove the topcover—Hazardous and Potentially Lethal Voltage Present and Warranty may be voided.

12VDC Triggering (3a)

ADCOM has provided the installer the ability to control the OFF/ON function of the GFA-7705/07 by a 12VDC output jack on the rear of certain pre-amplifiers and tuner pre-amplifiers. When using this feature the front panel Power Switch must be left in the "on" position. To connect, you will need a monaural mini phone plug to monaural mini phone plug cable of appropriate length (not included) to reach from the rear panel of the amplifier to the rear panel of the pre-amplifier. Contact your dealer for information on using this feature with ADCOM and other brand pre-amplifiers. Although 12VDC is optimal, the circuit will operate from approx. 5 to 30VDC. Center conductor (tip) is positive (+).

AC Circuit Breaker (3b)

The 15-Amp AC Breaker protects the electronic circuits of the GFA-7705/07. Normally, this breaker will open only if there is an overload or a component failure within the GFA-7705/07.

If the Power LED (7) does not glow, it may be an indication that the AC Breaker has blown. If you are using the 12VDC Triggering feature (above) it may be possible that there is no trigger voltage present or a problem exists with that connection.

To determine if the problem is caused by a malfunction in the 12VDC system, remove the small plug inserted into the 12VDC Triggering jack. Press the front panel power switch to turn off the amp, and immediately re-press the power switch. If the problem is caused by the 12VDC triggering circuit the amp will turn on and the LED will glow.

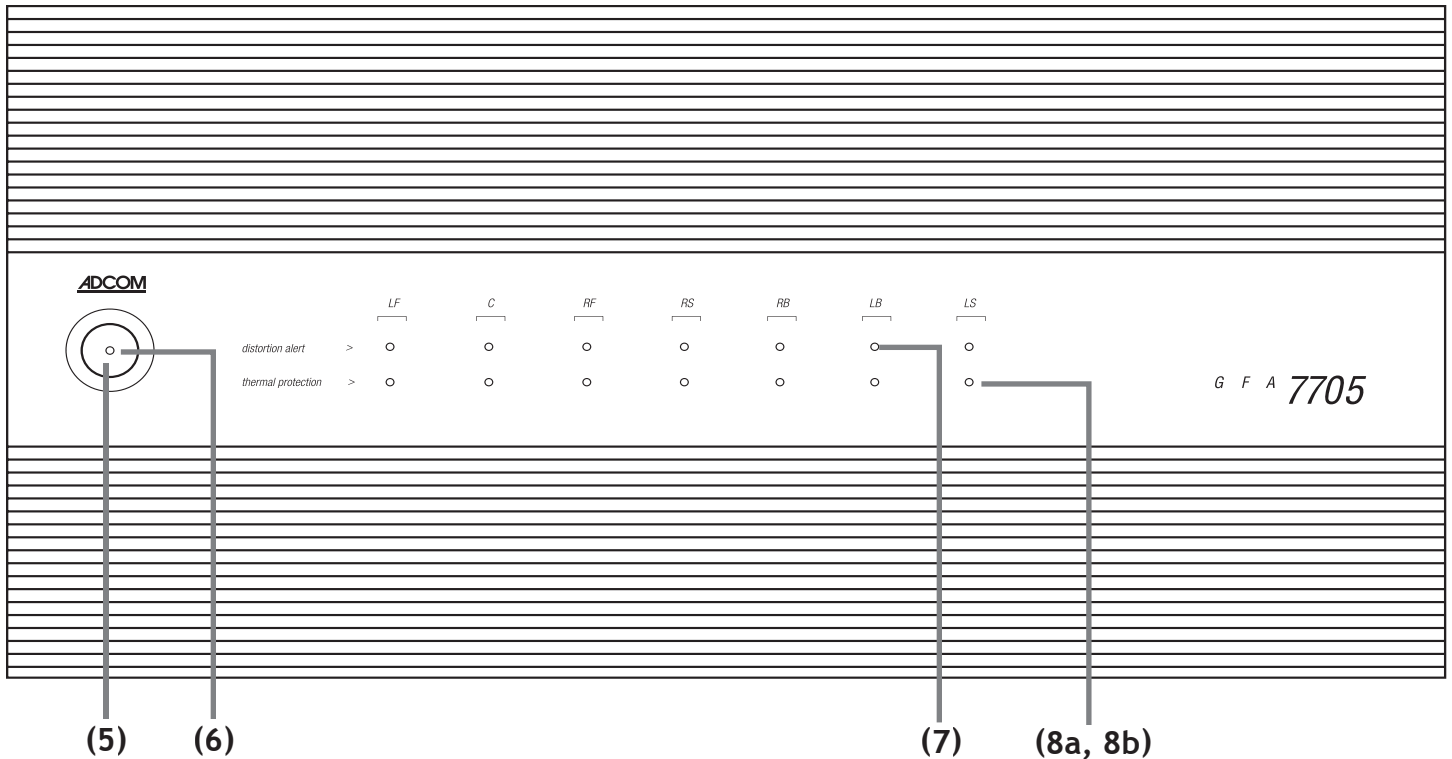
DO NOT attempt repair of the 12VDC system. If you are not sure, or the amplifier displays other symptoms, please consult the RESOLVING PROBLEMS section on page 13.

AC Power Cord (4)

The AC cord provides power to operate all the GFA-7705/07's circuits. The GFA-7705/07 is a very high power amplifier and as such must be directly connected to the wall outlet or an appropriate (non-current limiting) surge protector or AC line conditioner of 20-Amp service capability.

NOTE: As previously described on Page 4, the attached plug is a 20-Amp fitting which, in order for the amplifier to deliver its rated power output, should not be defeated in order to accommodate standard 15-amp household wall outlets.

Please consult with your dealer and/or licensed electrician for conversion of a 15 amp outlet and panel circuit to a 20 amp circuit.



Front Panel

On/Off Switch (5)

The On/Off Switch controls power to the power transformer and circuits of the GFA-7705/07. Whenever the GFA-7705/07 is energized the Power LED (7) will glow. To turn the GFA-7705/07 on, press the push-button. It will remain in the “engaged” position while the unit is energized. To turn the GFA-7705/07 off, press the push-button in and release and it will move to the “disengaged” position.

Power LED (6)

This LED will glow when the On/Off Switch (5) is turned on and the GFA-7705/07 is energized. The Power LED indicates that there is AC voltage being fed to the amplifier, but it does not signify that all the amplifier’s circuits are in operation. If, for example, one of the Thermal Protection LED (8) glows, that amplifier channel will not produce sound even though the Power LED may still glow. When the GFA-7705/07 is turned off, the Power LED will take some time to fade out completely. It may take up to 30 seconds to fully extinguish.

NOTE: Whenever a 12 Volt trigger connection is made to the GFA-7705/07, the Power LED will not illuminate, whether the On/Off Switch is pressed in or not, until a 12V signal is present from the triggering, source product. Please refer to Section 3a, 12VDC Triggering.

Distortion Alert LEDs (7)

The Distortion Alert circuit is a unique ADCOM distortion detection system which reads all forms of non-linear distortion such as THD, IM, slew-induced, “clipping,” etc. The Distortion Alert LEDs will light when distortion reaches approximately 1% regardless of impedance, voltage/current phase angle or the reactance of the loudspeakers which the amplifier is driving. Sometimes, when the amplifier is in use, the LEDs may occasionally flicker during high volume listening, particularly if you are driving low impedances. This flickering is no cause for concern. The LEDs are simply warning you that the amplifier is approaching its maximum power output into the particular loudspeakers you are using.

If, however, the Distortion Alert LEDs glow brightly or are illuminated most of the time during playback, you are over driving the amplifier and should turn down your volume control to reduce the listening level, otherwise it may cause the Thermal Protection to be activated or, in extreme cases, **damage your loudspeakers.**

Thermal Protection LEDs (8a)

The GFA-7705/07 is provided with both a thermal protection circuit and a current overload circuit which will shut down the individual amplifier's channels if its heatsink temperature reaches 85°C or the amplifier's outputs are shorted. The Thermal Protection LEDs will light when either of these protection circuits are on its respective channel has been triggered and the amplifier is inoperative. The thermal protection circuitry will typically be triggered by very high power demands into impedances much lower than the amplifier is capable of driving at those levels.

If any amplifier channel's output through the loudspeaker(s) ceases abruptly, and its Thermal Protection LED glows, you will know that its heatsink temperature has become unacceptably high and the circuitry is protecting the amplification devices. Please note that the Power LED (7) will remain on and the amplifier will still be energized. Once the temperature of the heatsink(s) drops to a safe operating level, that amplifier will automatically resume operation.

Activation of the Thermal Protection circuitry in any of the amplifiers in the GFA-7705/07 is an indication that the amplifier has been over driven or that the load the loudspeakers are presenting to the amplifier is unreasonably low. If you wish to prevent recurrent activation of the thermal protection circuitry, you must reduce the volume-level demands or correct the load-impedance condition which may be causing activation of this circuitry.

S.A.F.E.® Protection Circuit (8b)

Self-Annealing Fuse Equipped: Instead of blowing internal protection rail fuses in the event of a dead-short to either a loudspeaker or speaker cable leads, the GFA-7705/07 will enter into a self-protect SAFE mode.

If the output of any channel of the amplifier becomes shorted the protection circuit will trip and the individual Thermal Protection LED for that channel will light. The Protection LED will blink approximately every 5 seconds as the circuit will attempt to reset; if the short has been corrected the amplifier will resume proper operation. If the short is still present the channel will cycle off again. The cycling of the protection circuit will continue until the short is corrected or the amplifier power is switched off.

WARNING

Whenever connections to or from the GFA-7705/07 are being made, be certain that the AC On/Off Switch (5) of the amplifier is in the OFF position, the AC Power Cord (4) of the amplifier is disconnected from the AC wall outlet and that all associated components are turned off.

Installation & Hookup

Unpacking the GFA-7705/07

Before your new GFA-7705/07 left our factory, it was carefully inspected for physical imperfections and tested for all electrical parameters as a routine part of ADCOM's systematic quality control. This, along with full operational and mechanical testing, should ensure a product flawless in both appearance and performance. After you have unpacked the GFA-7705/07 inspect it for physical damage. Save the shipping carton and all packing material as they are intended to reduce the possibility of transportation damage, should the amplifier ever need to be shipped again. In the unlikely event damage has occurred, notify your dealer immediately and request the name of the carrier so a written claim to cover shipping damages can be initiated. THE RIGHT TO A CLAIM AGAINST A PUBLIC CARRIER CAN BE FORFEITED IF THE CARRIER IS NOT NOTIFIED PROMPTLY IN WRITING AND IF THE SHIPPING CARTON AND PACKING MATERIALS ARE NOT AVAILABLE FOR INSPECTION BY THE CARRIER. SAVE ALL PACKING MATERIALS UNTIL THE CLAIM HAS BEEN SETTLED.

Placement of the GFA-7705/07

During normal home operation the internal heatsinks of the GFA-7705/07 may become warm. However, there are instances during high-level playback into low impedances when the heatsinks will become much warmer than usual. To ensure the amplifier's long-term, trouble-free operation, it is necessary to provide adequate ventilation for the heatsinks. Therefore, the GFA-7705/07 should be kept away from external sources of heat such as radiators and hot-air ducts. The GFA-7705/07 should never be placed with other heat-producing components in a cabinet or enclosure lacking free air flow. The top and bottom panels of the amplifier's chassis have been provided with vents to allow the necessary cooling of the internal components. It is imperative that these vents are not obstructed in any way.

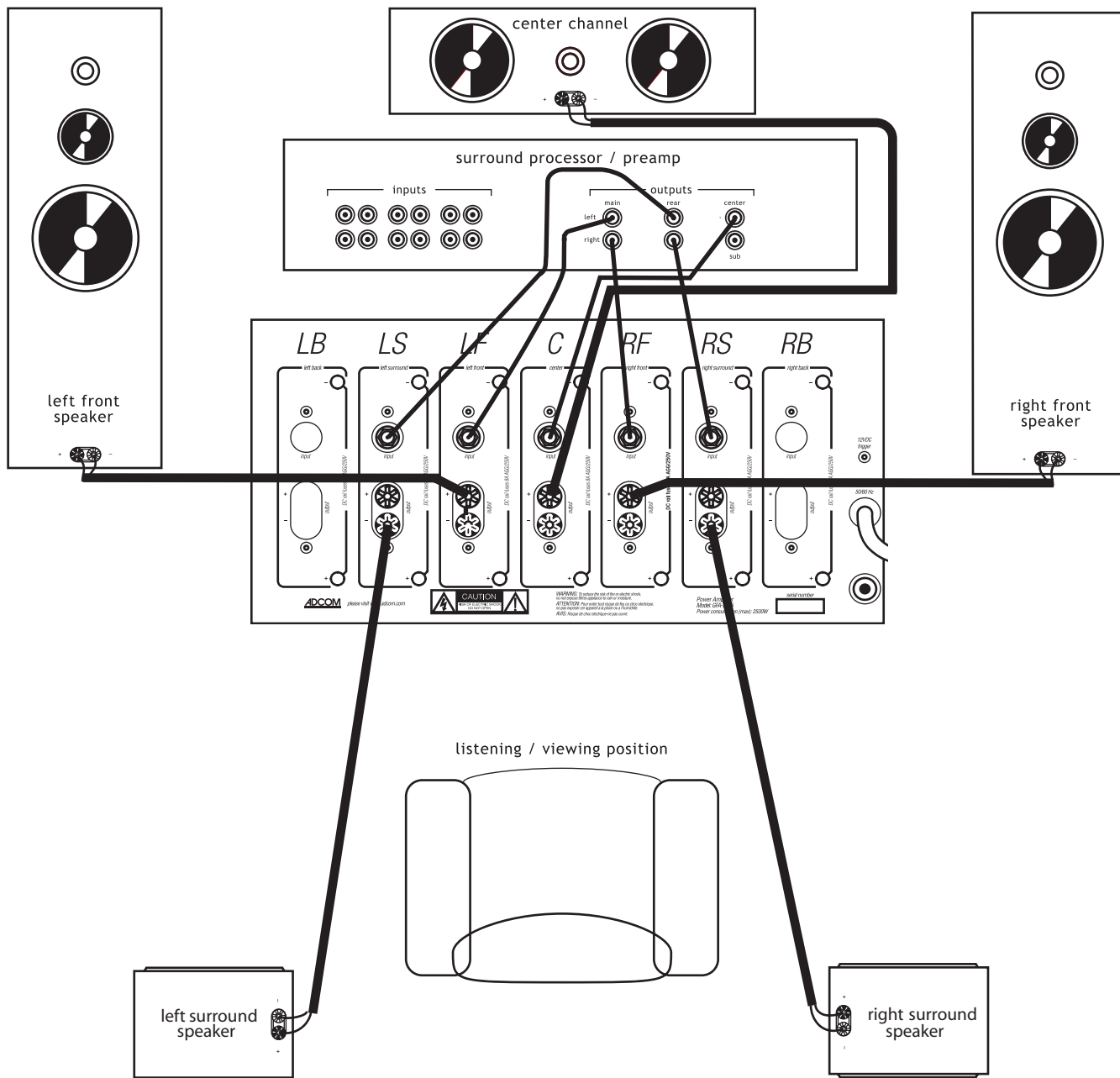
We recommend that you do not stack other components on top of the GFA-7705/07. Not only will heat generated by the amplifier affect the performance of equipment stacked on top of the GFA-7705/07, but the free flow of air through the ventilating slots in the amplifier may be partially obstructed. This is particularly important if your system includes low-impedance loudspeakers which are difficult to drive, or you will consistently demand high volume levels from the amplifier and speaker system.

If you observe these recommendations, the GFA-7705/07 will perform reliably in any reasonable environment. You should also pay attention to such normal considerations as protection from excessive dust and moisture. Occasional vacuuming of accumulated dust on the chassis, panels and around the ventilating slots should be all that is required.

The optimal performance of your new GFA-7705/07 will ultimately depend on the care with which you make the connections between the amplifier, preamplifier, surround sound decoder and the loudspeakers. All input and output signal connections should be made only with high quality, low capacitance, shielded cables following the recommendations in the Inputs and Outputs section of CONNECTING THE GFA-7705/07.

Quick Connections

For those of you who are in a hurry to hook up your amplifier into your system, we have included this quick-connection section. The wiring is straight forward and expeditious if you use the proper cables and follow this diagram exactly. If you have any difficulties or questions, please refer to the appropriate section of this manual for complete descriptions and instructions.



Connecting the GFA-7705/07

Remember, that the Left and Right designations are as you are sitting down in your listening/viewing area. On the rear panel, the inputs and outputs are grouped in 5 or 7 bracketed sets, one set for each channel. They are as follows:

- LB – Left Back (GFA-7707 only)**
- LS – Left Surround**
- LF – Left Front**
- C – Center**
- RF – Right Front**
- RS – Right Surround**
- RB – Right Back (GFA-7707 only)**

Inputs (1)

To preserve the correct effects, be certain to connect the RCA cables to the proper RCA-input connector. If the cables are color coded, then use this sequence for the connections:

Blue.....	Left Front
Red	Right Front
Green.....	Center
White with Blue Stripe	Left Surround
White with Red Stripe	Right Surround

The recommended maximum RCA cable capacitance should be less than or equal to 30pF per foot when measured between the two conductors, and less than or equal to 50pF per foot when measured between one conductor and the shield.

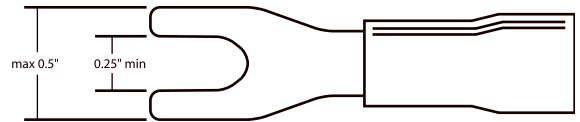
Outputs (2)

NOTE: The GFA-7705/07 is “polarity correct”. That is, it does not invert phase from input to output. Any positive signals at its inputs will appear as a positive signal at its outputs.

In connecting the amplifier to the loudspeaker, it is vital to maintain proper polarity (positive to positive, negative to negative). On the GFA-7705/07, the positive terminal is color coded RED and abeled “+,” and the negative is color coded BLACK and labeled “-.”

The positive terminal on the corresponding loudspeaker will be color coded RED, or will be labeled “+,” “pos,” “positive,” “8 ohms,” or “4 ohms.” The negative terminal on the speaker will be color coded BLACK, or will be labeled “-,” “neg,” negative,” “C,” “Common,” “G,” or “ground.”

It is necessary that your speaker cables be terminated with “U”-type spade connectors. These will give the most contact area insuring long-term reliability. The spade connector should have a maximum width of 0.57 inches and an opening width of no less than 0.25” (see diagram on right).



To properly connect the speaker cable to the binding posts turn the insulated head of the binding post clockwise until the wire or connector is firmly secured. Finger pressure is sufficient and you should not use pliers or other tools which could damage or over-tighten the binding-post assembly. The binding posts have been designed in such a way that finger pressure is all that is required to cause a “pinching” action among the different metal surfaces to ensure proper connection.

It is very important to use the correct size of wire in order to avoid unnecessary loss of amplifier power in the cable, reduction of amplifier damping factor and other undesirable conditions. Recommended capacitance of the speaker wire should not exceed 50pF per foot. This insures high frequencies will not be rolled-off.

It is suggested that the three front channels follow this chart for speaker lengths and wire gauges.

up to 24 feet..... AWG16
up to 36 feet..... AWG14
up to 58 feet..... AWG12

Generally, for the two rear surround channels, longer runs of cable are needed, but since less program material is being transmitted through the cable, longer runs are acceptable:

up to 48 feet..... AWG16
up to 72 feet..... AWG14
up to 116 feet AWG12

If longer runs are needed, it is best to consult with your Adcom Dealer to maximize the performance of your system with your exact conditions.

All loudspeakers having a nominal impedance down to 4 ohms can be connected to and driven by the GFA-7705/07. The amplifier can drive these low-impedance speakers at more than adequate power levels with no difficulty. It should be noted here that many loudspeaker systems which are nominally rated at 4 ohms drop in impedance, in some parts of their frequency range, to as low as 2 ohms (and sometimes less). You will not experience difficulties even with these very low impedance loads unless you demand excessively high volume levels from your system.

It is not recommended that you run additional sets of speakers on any or all of the amplifiers in the GFA-7705/07 in order to insure the integrity of the system. If you choose to add remote speakers in another room, it is strongly suggested that a switching system to disconnect the non-home-theater speakers be incorporated when the surround sound, home-theater mode is in operation. A device such as the Adcom GFS-300 or GFS-600 Speaker Selector is strongly recommended. A Speaker Selector enables you to maintain integrity while giving you the flexibility to add speakers throughout your house.

CARING FOR YOUR GFA-7705/07

Great care has been taken by ADCOM to ensure that your amplifier is as flawless in appearance as it is electronically. The front panel is a heavy-gauge, high-grade aluminum extrusion carefully finished and anodized for durability. The chassis, top cover and rear panel are heavy-gauge steel that has been powder coated and baked to ensure a lasting finish. If the front panel, top or sides become dusty or fingerprinted, they can be cleaned with a soft lint-free cloth, slightly dampened with a very mild detergent solution or glass cleaner.

DO NOT SPRAY OR POUR LIQUIDS OF ANY KIND ON THE GFA-7705/07.

Troubleshooting

Resolving Problems

Use the chart below to solve common situations that don't require professional attention. If the steps stated in POSSIBLE SOLUTION do not resolve your problem, then please contact your ADCOM Dealer or call the ADCOM Customer Service Department. Any problems not covered here should be brought to the attention of your ADCOM Dealer or ADCOM Customer Service Department.

A special note on "hum": When there is a low-volume "hum" audible throughout your speakers, even with the main volume turned all the way down, you likely have a common phenomenon known as "ground loop." A ground loop is basically a difference in ground voltages between two or more components which are connected electrically and which creates multiple current paths where there must only be one. This difference in potential creates a 60 Hz low-level sound (approximately a low A#), that appears to "hum."

It can be caused by adding new components to your system, but that does not imply there is anything electrically wrong with any new component. With the advent of audio/video and home theater systems, the problem has become commonplace. Generally, the cause is the Cable-TV incoming signal line. This new incoming line may add an additional ground at a different potential from the AC line ground of your other equipment.

Symptom	Possible Reason	Possible Solution
Power LED does not glow No sound	AC Power Cord (4) not plugged in AC Breaker (3b) opened 12V Trigger Connected but not activated	Plug in AC Power Cord (4) Reset AC Breaker (3b) Turn on 12V Source Unit
Power LED glows, but no sound	Preamp or source unit is not on Connections in rear are loose	Make sure whole system is on Verify all connections on rear of amp
One channel not producing sound and/or Thermal LED Blinking	nput (1) or Output (2) connectors disconnected or loose Speaker disconnected/ shorted nternal protection engaged	Verify both sets of connections on that channel Verify connections at speaker/ cable in- tegrity. Bring to Dealer or Service Center
Hum from all speakers at any volume	Ground loop (difference in ground voltages between components)	If cable TV is present (<i>see Note 1</i>) If cable TV is not present (<i>see Note 2</i>)
Hum from all speakers (hum goes up or down with volume)	Problems with source unit (CD, tape, etc.) or RCA cables connecting that source unit to the preamp	Try different source (tuner, tape, etc.) and/or different RCA cable
Hum from the amplifier itself	Some major appliance, dimmer, halogen or fluorescent light is creating interference	Make sure all appliances, dimmers and suspect lights are off

Note 1: Cable TV systems can sometimes contribute to ground-loop problems which cause "hum." To determine if your cable system is the contributing factor, disconnect the Cable-TV incoming signal line (round, 75Ω) at the wall, or the first component to which the cable is connected to (i.e. the cable box, or VCR.) If the hum is no longer present, you must insert a "75Ω Ground Loop Isolator" before reconnecting the line. You should check with your ADCOM Dealer to obtain one. If the "75Ω Ground Loop Isolator" works only partially or not at all, then please read Note 2 to complete the troubleshooting procedure.

Note 2: Make sure that the power amplifier is at least six inches from the Preamp and/or Processor. Usually putting another component between them is sufficient to minimize the hum. If this does not reduce the hum, turn the system off and disconnect all Inputs from the amplifier. If the hum still persists, then call your Dealer or Service Center. If the hum disappears, re-connect one RCA cable at a time to see if the specific cable or component is responsible. If any or all cables cause the hum to appear, substitute with replacement cable(s). If hum continues to persist then the preamp or processor should be evaluated for proper operation by your Dealer or Authorized Service Center.

Servicing

ADCOM has a Technical Service Department to answer questions pertinent to the installation and operation of your unit. In the event of difficulty, please contact us for prompt advice. Please have the following information readily at hand: the unit's model and serial numbers, and dealer from whom it was purchased. If your problem cannot be resolved through our combined efforts, we may refer you to an authorized repair agency, or authorize return of the unit to our factory. To aid us in directing you to a convenient service center, it would be helpful if you indicate which major city is accessible from your home.

Please address mail inquires to:
ADCOM Service
8541 East Anderson Drive
Scottsdale, Arizona 85255
United States of America
www.adcom.com

Phone, Fax or Email inquiries to :
Voice: (480) 607-2277
Fax: (480) 348-9876
Monday-Friday
9:00 AM to 5:00 PM MST
service@adcom.com

UNDER NO CIRCUMSTANCES SHOULD YOUR UNIT BE SHIPPED TO OUR FACTORY WITHOUT PRIOR AUTHORIZATION, OR PACKED IN OTHER THAN ITS ORIGINAL CARTON AND FILLERS.

For fax inquires, please include a return fax or voice number for the reply. When calling or writing about your GFA-7705/07, be sure to note and refer to its serial number as well as the date of purchase and the dealer from whom it was purchased. In the event the unit must be returned to our factory for service, you will be instructed on the proper procedure when you call or write for a Return Authorization. For warranty coverage, a copy of the original proof of purchase is required. If you have no original copy, please contact your dealer to obtain a duplicate copy.

If the original shipping carton and its fillers have been lost, discarded, or damaged, a duplicate carton may be obtained from our Service Department for a nominal charge.

Always ship PREPAID VIA UNITED PARCEL SERVICE (UPS) OR OTHER APPROVED CARRIER. DO NOT SHIP VIA PARCEL POST, since the packaging was not designed to withstand rough Parcel Post handling. FREIGHT COLLECT SHIPMENTS WILL NOT BE ACCEPTED UNDER ANY CIRCUMSTANCES.

GFA-7700/7707 Specifications

Power Rating (To EIA/CEA-490-A Requirements)

200 Watts continuous average power per channel into 8 ohms at any frequency between 20Hz and 20kHz with all channels driven at less than 1% THD.

300 Watts continuous average power per channel into 4 ohms at any frequency between 20Hz and 20kHz with all channels driven at less than 1% THD.

THD + Noise at 200 Watts into 8 ohms (Typical)

20Hz.....	0.0086%
1kHz.....	0.0096%
10kHz.....	0.0156%
20kHz.....	0.0201%

THD + Noise at 300 Watts into 4 ohms (Typical)

20Hz.....	0.0186%
1kHz.....	0.0214%
10kHz.....	0.0354%
20kHz.....	0.0311%

Frequency Response @ 1 Watt into 8 ohms (20Hz to 20kHz).....+0, -0.22dB

Power Bandwidth (-3dB).....3 Hz to 130kHz

Dynamic Headroom into 4 ohms.....1.90 dB

Signal to Noise Ratio "A" Weighted (200 Watts into 8 ohms).....-125 dB

Gain.....29 dB

Input Sensitivity

for 1 Watt Output.....	0.1 volts
for 200 Watts Output.....	1.40 volts

Input Impedance.....50kΩ

Damping Factor (20Hz to 20kHz)..... ≥ 800

General

Power (Available in 230VAC on special order).....120VAC - 50/60Hz

Power Consumption (Continuous, All Channels Driven)

Idle (5 Channel).....	120W
Idle (7 Channel).....	170W
200 watts x 5 Ch into 8 ohms.....	2200W
200 watts x 7 Ch into 8 ohms.....	2700W

Chassis Dimensions (H x W x D).....8.5" (216mm) x 17" (432mm) x 17.5" (444.5mm)

Maximum Dimensions (H x W x D)..... 9 3/8" (238mm) x 17" (432mm) x 18.5" (470mm)

Unit Weight (GFA-7705).....69.5 lb. (31.5 kg)

Unit Weight (GFA-7707).....78.2 lb. (35.5 kg)

Weight, Packed (GFA-7705).....81.5 lb. (37 kg)

Weight, Packed (GFA-7707).....90.4 lb. (41 kg)

Specifications subject to change without notice.



8541 East Anderson Drive
Scottsdale, Arizona 85255
Voice: (480) 607-2277
Fax: (480) 348-9876
www.adcom.com